

Kenko

MOUNT ADAPTER

For M42

Instruction Manual

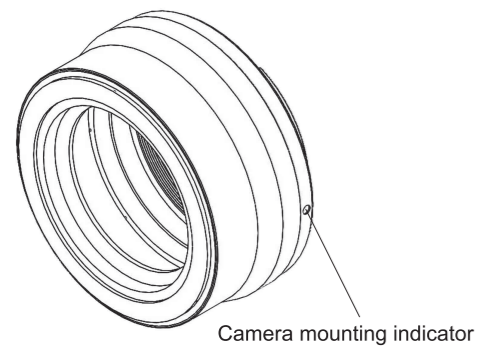
Thank you for purchasing this Kenko Mount Adapter.

Read this instruction manual carefully before use and be sure to use the mount adapter correctly.

Note: Be sure to read the "Safety Precautions" before use.

 Kenko Tokina Co., Ltd. 
<http://www.kenkoglobal.com/>
 KT Nakano Building
 5-68-10, Nakano, Nakano-ku, Tokyo 164-8616, Japan

Part names



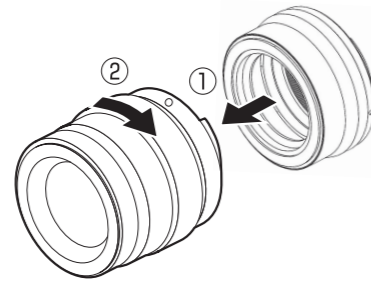
Preparation for mounting

- Turn off the digital camera power.
- When mounting the mount adapter, rotate it slowly and gently.

1. Mounting mount adapter to lens

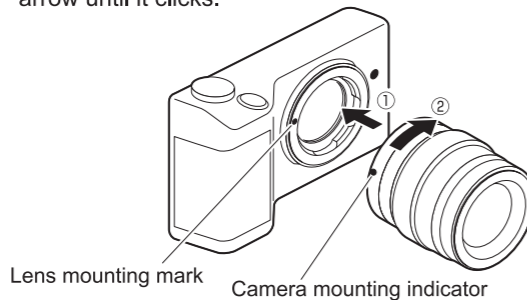
Note: Always use both hands when mounting/dismounting the lens and mount adaptor.

Connect the threads of the lens to those of the mount adapter and screw them together.



2. Mounting to camera

Align the camera mounting indicator on the mount adapter to the lens mounting mark on the digital camera, then rotate the mount adapter with the lens attached in the direction of the arrow until it clicks.



3. Setting up camera body

Setting up the digital camera. Turn the digital camera power on.

For details about product operations not indicated here, see the instruction manual or handbook supplied with your camera.

Note: These setup procedures are for cameras using the factory default settings, and therefore may differ depending on your specific camera settings.

Canon EOS M

- 1) Touch [Shooting mode] at the top left of the LCD screen.
- 2) Select the [Av] or [M] shooting mode.
- 3) Press the [MENU] button on the camera.
- 4) Use the electronic dial to align to the rightmost [★] mark and press [SET].
- 5) Select [Release shutter w/o lens] and press [SET].
- 6) Select [C.Fn IV: Operation/Others - Release shutter w/o lens] -> [1: Enable] and press [SET].
- 7) Use the aperture ring on the lens to set the aperture. (When [M] mode is set, also set the shutter speed.)
 - The camera switches to stop-down metering (metering with the aperture stopped down).
 - The set aperture value is not displayed on the digital camera.
 - The lens focal length or the aperture value is not recorded in the image data.
 - The aperture value cannot be set on the camera.
- 8) Use the focus ring on the lens to adjust the focus and shoot.
 - Select [Magnified view] at the bottom right of the LCD screen when adjusting the focus to make focusing easier.
 - Auto focus cannot be used.

Note: The focal length used for the lens is equivalent to approximately 1.6x of the actual lens.
 => (When a 50mm lens is used, the focal length is equivalent to that of a 80mm lens.)

Sony E-mount

- 1) Select the [A] or [M] shooting mode.
- 2) Press the [MENU] button on the back of the camera.
- 3) Use the control wheel to align to [Setup] and press the center button.
- 4) Set [Release w/o Lens] to [Enable].
- 5) Use the aperture ring on the lens to set the aperture. (When [M] is set, also set the shutter speed.)
 - Metering cannot be performed accurately. Therefore, adjust the aperture while checking the shooting results.
 - The set aperture value is not displayed on the digital camera.
 - The aperture value cannot be set on the camera.
- 6) Use the focus ring on the lens to adjust the focus and shoot.
 - Select [MF Assist] when adjusting the focus to make focusing easier.
 - Auto focus cannot be used. (For details on this setting, see the instruction manual supplied with your digital camera.)

Note: The focal length used for the lens is equivalent to approximately 1.5x of the actual lens.
 => (When a 50mm lens is used, the focal length is equivalent to that of a 75mm lens.)

Micro Four Thirds

- 1) Press the [MENU/SET] button on the back of the camera.
- 2) Touch [REC] mode displayed on the LCD screen.
- 3) Touch to select the [Av] or [M] shooting mode.
- 4) Press the [MENU/SET] button on the back of the camera.
- 5) Touch [CUSTOM] displayed on the LCD screen.
- 6) Select [SHOOT W/O LENS] and press the [MENU/SET] button.
- 7) Select [ON] and press the [MENU/SET] button.
- 8) Use the aperture ring on the lens to set the aperture. (When [M] is set, also set the shutter speed.)
 - The camera switches to stop-down metering (metering with the aperture stopped down).
 - The set aperture value is not displayed on the digital camera.
 - The lens focal length or the aperture value is not recorded in the image data.
 - The aperture value cannot be set on the camera.
- 9) Use the focus ring on the lens to adjust the focus and shoot.
 - Select [MF ASSIST] when adjusting the focus to make focusing easier. (For details on this setting, see the instruction manual supplied with your digital camera.)
 - Auto focus cannot be used.

Note: The focal length used for the lens is equivalent to approximately 2x of the actual lens.
 => (When a 50mm lens is used, the focal length is equivalent to that of a 100mm lens.)

Fuji X-mount

- 1) Select the shooting mode, either [A] or [M].
- 2) Press the [MENU/OK] button on the back of the camera.
- 3) Select [ON] for [SHOOT WITHOUT LENS] in the Shooting menu.
- 4) Use the aperture ring on the lens to set the aperture. (When [M] mode is set, also set the shutter speed.)
 - Metering cannot be performed accurately. Therefore, adjust the aperture while checking the shooting results.
 - The set aperture value is not displayed on the digital camera.
 - The aperture value cannot be set on the digital camera.
- 5) Use the focus ring on the lens to adjust the focus and shoot.
 - If the Focus mode is set to manual mode, the focus check can be used, which makes it easier to adjust the focus. (For details on this setting, see the instruction manual supplied with your digital camera.)
 - Auto focus cannot be used.

Note: Neither [FOCAL LENGTH SETTING] nor [DISTORTION CORRECTION] can be used.

Note: No lens information is recorded in the image data.

Note: The focal length used for the lens is equivalent to approximately 1.5x of the actual lens.

=> (When a 50mm lens is used, the focal length is equivalent to that of a 75 mm lens.)

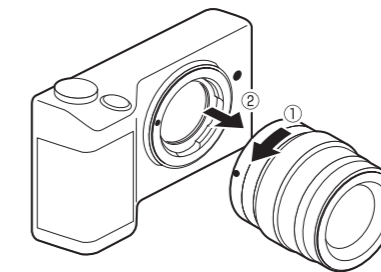
Preparation for dismounting

- Turn off the digital camera power.
- When dismounting the mount adapter, rotate it slowly and gently.

4. Dismounting from camera

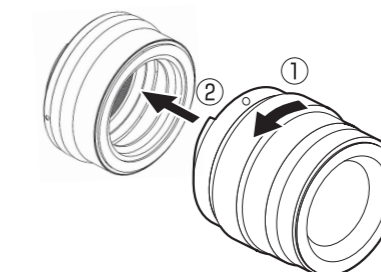
Note: Always use both hands when mounting/dismounting the lens and mount adaptor.

While pressing and holding the lens removal button on the digital camera, rotate the lens with the mount adapter attached in the direction of the arrow until it stops, and then dismount it.



5. Dismounting lens from mount adapter

Rotate the lens counterclockwise and remove.



6. Handling Guidelines

- Before use, be sure to use the check gauge to check if the lens can be mounted.
- The actual focal length may differ from the displayed lens focal length depending on the lens being used.
- Do not use lenses other than the M42 lens. Forcibly mounting a different type of lens may damage components.
- No warranty will be provided for any breakage or malfunction in the camera, lens, adapter or other accessories, etc. if an other mount adapter is used together with this mount adapter.
- Replace the lens in a location where there is little dirt or dust.
- Avoid using the mount adapter in a location where there is a lot of dirt or dust. Doing so may cause a malfunction.
- Be very careful not to drop or subject strong impacts to the mount adapter.
- To clean the mount adapter, gently wipe it with a clean dry cloth.
 - Do not use solvents such as benzine, thinner, alcohol, and kitchen detergent.
 - If the mount adapter is particularly dirty, soak a cloth in water, thoroughly wring out the cloth, wipe of the dirt and then immediately wipe dry with a dry cloth.
- Be sure to read the instruction manual supplied with your digital camera.