

# MOEBIUS 55 Optical Tube Operation Manual

Thank you very much for purchasing this product. Please be sure to read this operation manual thoroughly before use for proper operation. Please also be sure to store the manual for future reference.

## Parts included with this product

### ● Optical tube unit (assembled)

- ① MOEBIUS 55 objective lens
- ② 60ΦL130 extension tubes A (2 incl.)
- ③ 60ΦL130 extension tube B
- ④ M57 helicoid LIII
- ⑤ Eyepiece holder

### ● Included parts

- ⑥ Upright prism
- ⑦ 20 mm eyepiece

### ● Other

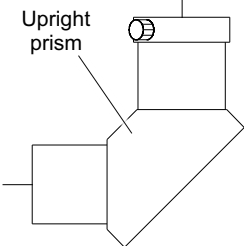
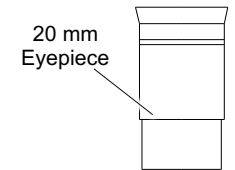
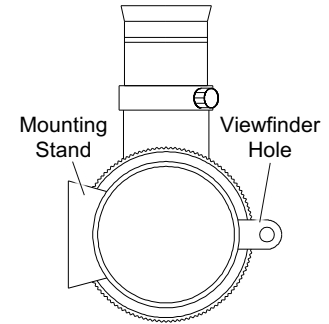
- ⑧ Rear cap for the objective lens (60 mm)  
\* included with the upright prism
- ⑨ Operation manual

## ● How to assemble the lens tube

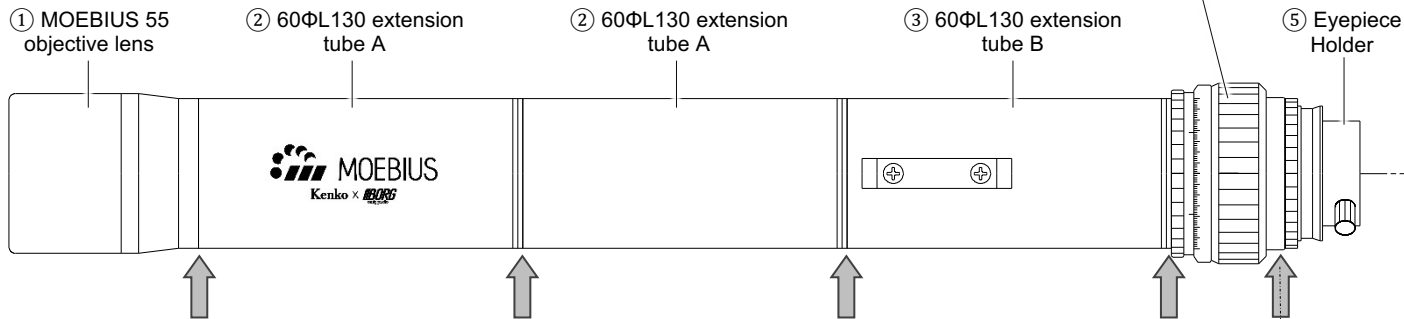
- <1> Following the diagram, connect the upright prism and the eyepiece to the main optical tube.
- <2> Insert the mounting stand on the side of the optical tube into the mount on the tripod, and screw it into place firmly with the thumbscrews.
- <3> Loosen the screw on the eyepiece holder to adjust the angle so that the eyepiece points straight up. Take care when adjusting not to drop the upright prism or eyepiece.

## ● How to use

- <1> Look in through the front hole of the viewfinder, using the fine adjustment knob on the mount side to align the object you want to see in the center of the other hole at the end of the tube to adjust the optical tube angle.
- <2> Turn the M57 Helicoid LIII to adjust the focus. \* When replacing the eyepiece or changing users, the telescope's focus will need to be fine-tuned again.



## Optical tube unit (assembled)



The main unit can be disassembled from the parts indicated with the ↑ symbol in the diagram. When disassembling, please take care not to touch the donut-shaped shielding ring on the inside.

To cameras

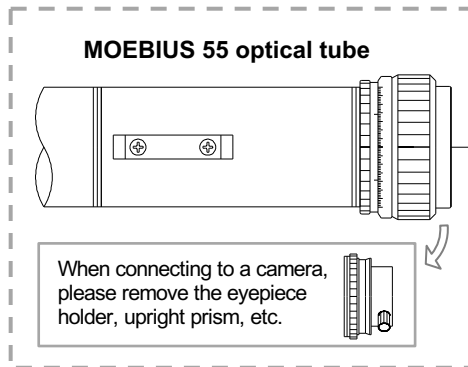
\* For how to connect to cameras, please see "Connecting the Optical Tube to Cameras" on the reverse side.

# Connecting the Optical Tube to Cameras

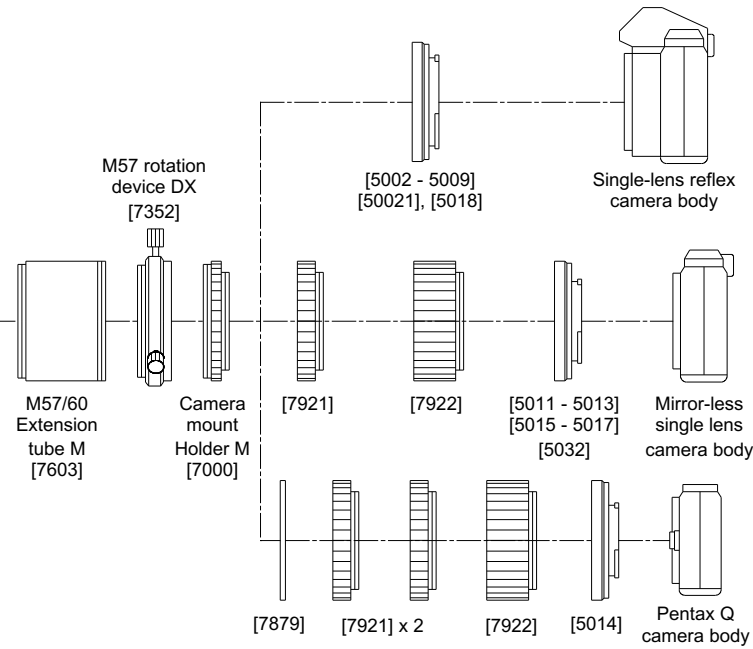
To connect to a camera, refer to the illustration below and connect with the necessary parts.

## ⚠ Caution

The image circle (good image area) of this optical tube is around 20 mm. Using a 35 mm full size or APS-C sensor size digital camera, etc., will cause the corners of the image to be distorted.



\* The parts shown in this box and camera are all sold separately.



### ① When connecting to a single-lens reflex camera body:

[5002 - 5009], [50021], [5018]  
Camera mount  
+ Single-lens reflex camera body

### ② When connecting to a mirror-less single lens camera body:

[7921] M49.8 extension tube S  
+ [7922] M49.8 extension tube M  
+ [5011 - 5013], [5015 - 5017], [5032]  
Camera mounts  
+ Mirror-less single lens camera body

### ③ When connecting to a Pentax Q camera body:

[7879] Spacer 2 mm (60Φ)  
+ [7921] M49.8 extension tube S x 2  
+ [7922] M49.8 extension tube M  
+ [5014] camera mount for Pentax Q  
+ Pentax Q camera body

## Warranty Card – Warranty Policy –

Warranty period: 1 year from the date of purchase

1. For repairs, please make sure you have your purchase receipt and contact the store of your purchase.
2. If you do not have the purchase receipt, a repair fee will be required.
3. Damage caused by improper handling during use will also require a repair fee.  
(Such as ① - ⑧ below)

- ① Damage caused by misuse or user error
- ② Damage caused by moisture or other improper storage conditions
- ③ Damage caused by a fire, flood, or natural disasters
- ④ Damage caused by repair, modification, or disassembly by a vendor other than our company
- ⑤ Damage due to other similar causes
- ⑥ Exchanging of the consumables
- ⑦ Damaged caused by dropping, impacts, sand, dirt, submersion in water, flooding, etc.
- ⑧ Purchases from individual sellers, auctions, etc.

4. Not valid without the date of purchase and name of the store where purchased.
5. Please store your receipt carefully.
6. Any shipping or travel expenses required for repair will be borne by the customer.
7. We offer no warranty regarding other products damaged through use with our company's products.
8. Please understand that we cannot offer examination, repair, user guidance, set-up, or other services in person, either free or paid.
9. This warranty policy establishes a guarantee of repair at no cost, and does not limit your statutory rights. Please indicate clearly the part(s) in question and other details regarding repairs.

### ■ Personal Information

- \* Personal information provided by customers through this warranty will be promptly disposed of after repairs are complete.
- \* If provided, we may use your age, gender, or other non-identifiable information to process as statistical data.

\* We will not disclose your personal information to third parties, except in the following cases.

- When we have obtained your consent.
- When disclosing personal information to subcontractors, to the extent necessary to achieve the purpose of use you have specified. However, in such cases we will be responsible for necessary and appropriate monitoring of such subcontractors to ensure the safe management as provided by law.

**Kenko Tokina Co., Ltd.**

KT Nakano Building  
5-68-10, Nakano, Nakano-ku, Tokyo 164-8616, Japan  
<https://kenkoglobal.com>

**Tomytec**

3-19-3, Tateishi, Katsushika-ku, Tokyo 124-0012, Japan  
<https://www.tomytec.co.jp/borg>